

RS Sapphire 165/3

Features

Mid-woofer and Midrange in Aluminum diecast basket
Coupling volumes for tweeter
Mid-woofer and Midrange paper cone water resistant
Lowest manufacturing tolerances and exclusive use of selected materials
Ultra-High class Frequency crossover

Technical data

Power RMS / max.	70 / 140 Watts
Frequency response	44 Hz - 20,000 Hz
Impedance	4 Ω
Efficiency 1 W / 1 m	90 dB
Cone material	TW: Silk dome M: Paper cone W: Paper cone
Crossover	6/6/6 dB
Outer diameter	TW: 50 mm M: 90 mm W: 165 mm
Installation diameter	TW: 44 mm M: 73 mm W: 144 mm
Installation depth	TW: 16 mm M: 41 mm W: 72 mm

RS Sapphire 165/2

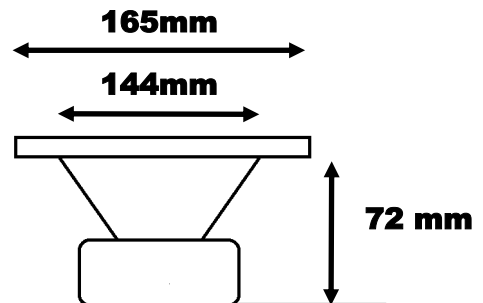
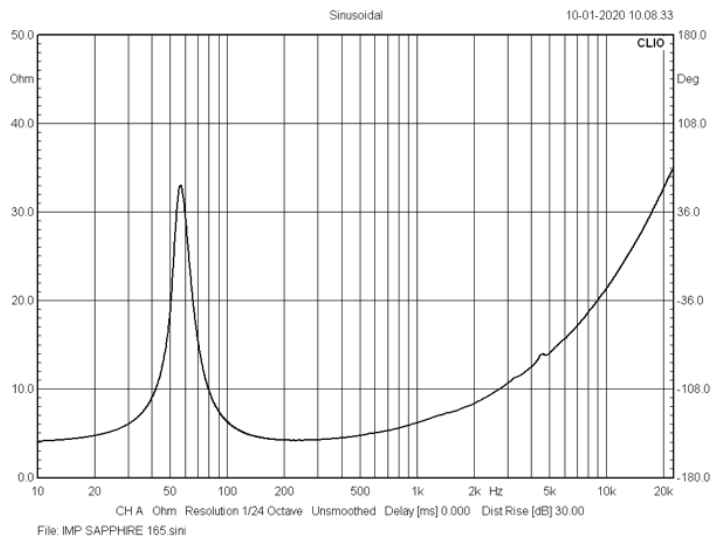
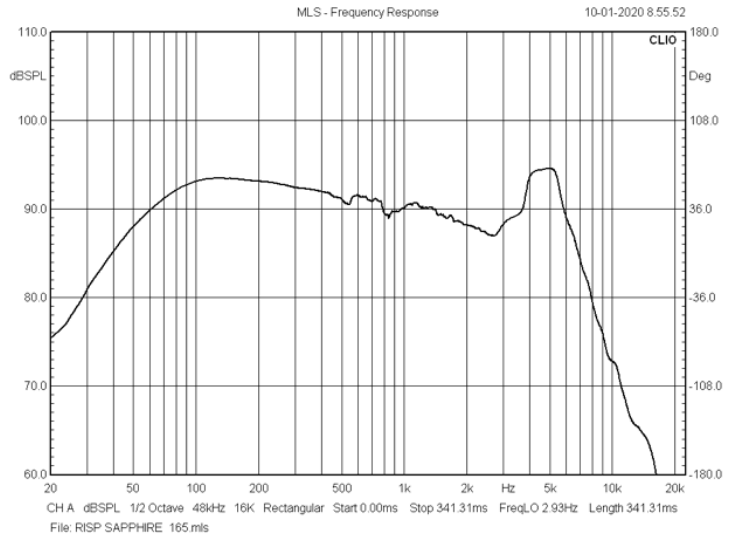
Features

Mid-woofer in Aluminum diecast basket
Coupling volumes for tweeter
Mid-woofer and Midrange paper cone water resistant
Lowest manufacturing tolerances and exclusive use of selected materials
Ultra-High class Frequency crossover

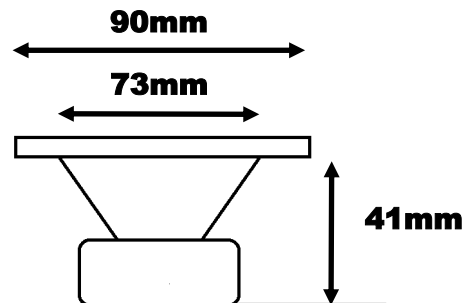
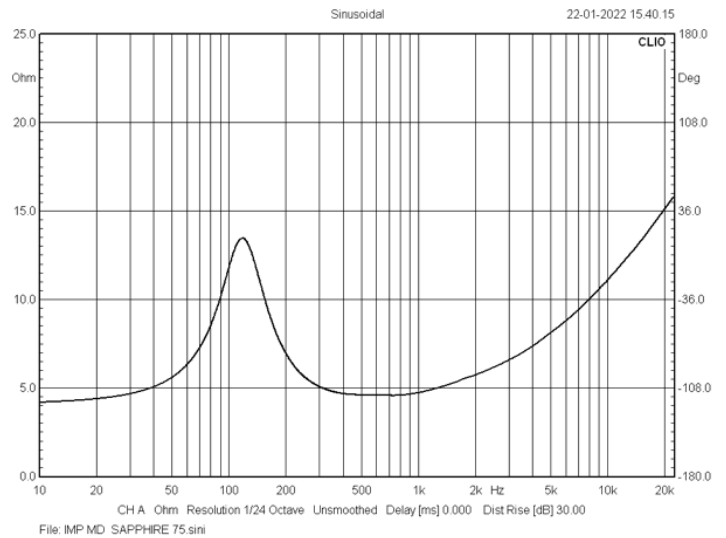
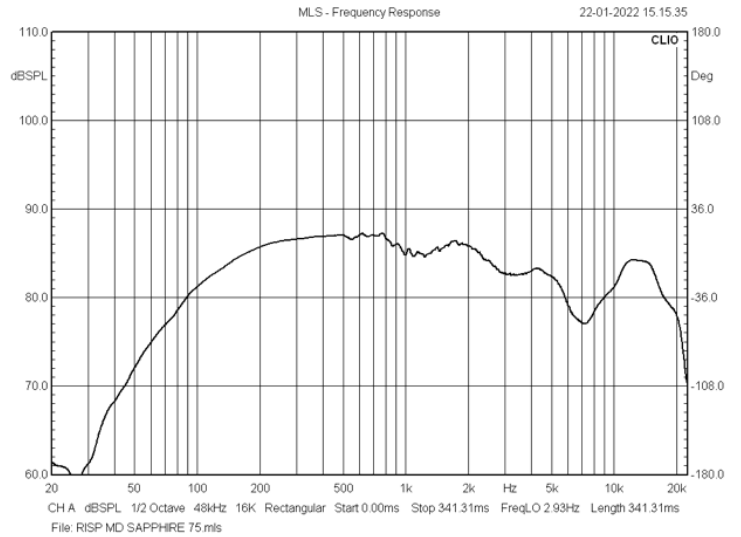
Technical data

Power RMS / max.	70 / 140 Watts
Frequency response	44 Hz - 20,000 Hz
Impedance	4 Ω
Efficiency 1 W / 1 m	90 dB
Cone material	TW: Silk dome W: Paper cone
Crossover	6/6 dB
Outer diameter	TW: 50 mm W: 165 mm
Installation diameter	TW: 44 mm W: 144 mm
Installation depth	TW: 16 mm W: 72 mm

MODEL	RS SAPPHIRE MB165
F_s	49.8763 Hz
Diameter	130.0000 mm
Z_{Max}	33.0274 Ω
R_E	3.7000 Ω
R_{MS}	1.0462 Ω _M
Q_{MS}	4.7631
Q_{ES}	0.6009
Q_{TS}	0.5336
C_{MS}	0.5518 mm/N
M_{MS}	13.7033 g
BL	5.5392 Tm
V_{AS}	13.5758 L
dB_{SPL}	88.4372
L_{1kHz}	0.5211 mH
L_{10kHz}	0.2697 mH
C_{AS}	9.722230E-0008 m ⁵ /N
R_{AS}	5938.3560 Ω _A
M_{AS}	77.7809 kg/m ⁴
R_{AT}	53007.7000 Ω _A
S_D	0.0133 Ω
L_{CES}	16.9319 mH
C_{MES}	446.6146 μF
R_{ES}	29.3274 Ω
R_{MT}	9.3388 Ω _M
Z_{Min}	4.1613 Ω
Z_{AVG}	10.6647 Ω



MODEL	RS SAPPHIRE M75
F_s	120.3658 Hz
Diameter	63.0000 mm
Z_{Max}	13.2734 Ω
R_E	3.9000 Ω
R_{MS}	1.3453 Ω _M
Q_{MS}	1.6543
Q_{ES}	0.6883
Q_{TS}	0.4861
C_{MS}	0.5941 mm/N
M_{MS}	2.9428 g
BL	3.5511 Tm
V_{AS}	0.8062 L
dB_{SPL}	85.1243
L_{1kHz}	0.1485 mH
L_{10kHz}	0.1115 m H
C_{AS}	5.773237E-0009 m ⁵ /N
R_{AS}	138449.0000 Ω _A
M_{AS}	302.8408 kg/m ⁴
R_{AT}	471203.5000 Ω _A
S_D	0.0031 Ω
L_{CES}	7.4922 mH
C_{MES}	233.3597 μF
R_{ES}	9.3734 Ω
R_{MT}	4.5788 Ω _M
Z_{Min}	4.5655 Ω
Z_{AVG}	7.1816 Ω



MODEL	RS SAPPHIRE TW25
F_s	842.8920 Hz
Diameter	0.0000 mm
Z_{Max}	7.4980 Ω
R_E	3.4000 Ω
R_{MS}	0.0000 Ω _M
Q_{MS}	1.1577
Q_{ES}	0.9605
Q_{TS}	0.5249
C_{MS}	0.0000 mm/N
M_{MS}	0.0000 g
BL	0.0000Tm
V_{AS}	0.0000 L
dB_{SPL}	0.0000
L_{1kHz}	0.0000 mH
L_{10kHz}	0.0323 mH
C_{AS}	0.000000E+0000 m ⁵ /N
R_{AS}	0.0000 Ω _A
M_{AS}	0.0000 kg/m ⁴
R_{AT}	0.0000
S_D	0.0000 Ω
L_{CES}	0.6684 mH
C_{MES}	53.3401 μF
R_{ES}	4.0980 Ω
R_{MT}	0.0000 Ω _M
Z_{Min}	3.5119 Ω
Z_{AVG}	4.0898 Ω

