

RS Stream165/3

Features

Mid-woofer and Midrange in Aluminum diecast basket
Coupling volumes for tweeter
Midwoofer ultralight carbon cone
Midrange paper cone water resistant
Lowest manufacturing tolerances and exclusive use of selected materials
Ultra-High class Frequency crossover

Technical data

Power RMS / max.	100/ 190 Watts
Frequency response	35 Hz - 22,000 Hz
Impedance	4 Ω
Efficiency 1 W / 1 m	90 dB
Cone material	TW: Silk dome M: Paper cone W: Carbon
Crossover	6/6/6 dB
Outer diameter	TW: 59mm M: 106 mm W: 166 mm
Installation diameter	TW: 54mm M: 96 mm W: 141 mm
Installation depth	TW: 20 mm M: 39mm W: 77 mm

RS Stream165/2

Features

Mid-woofer in Aluminum diecast basket
Coupling volumes for tweeter
Lowest manufacturing tolerances and exclusive use of selected materials
Midwoofer ultralight carbon cone
Ultra-High class Frequency crossover

Technical data

Power RMS / max. 100/ 190 Watts

Frequency response 35 Hz - 22,000 Hz

Impedance 4 Ω

Efficiency 1 W / 1 m 90 dB

Cone material TW: Silk dome

W: Carbon cone

Crossover 6/6 dB

Outer diameter TW: 59 mm

W: 166 mm

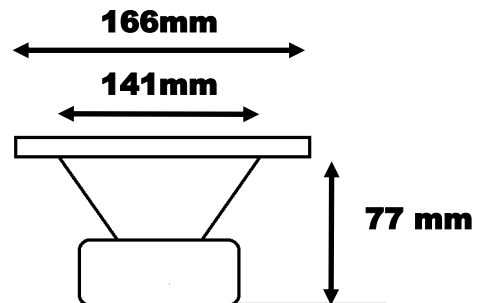
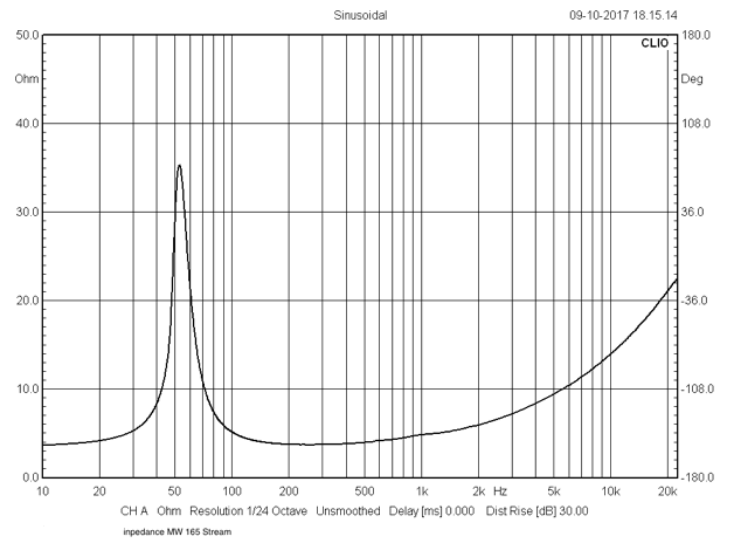
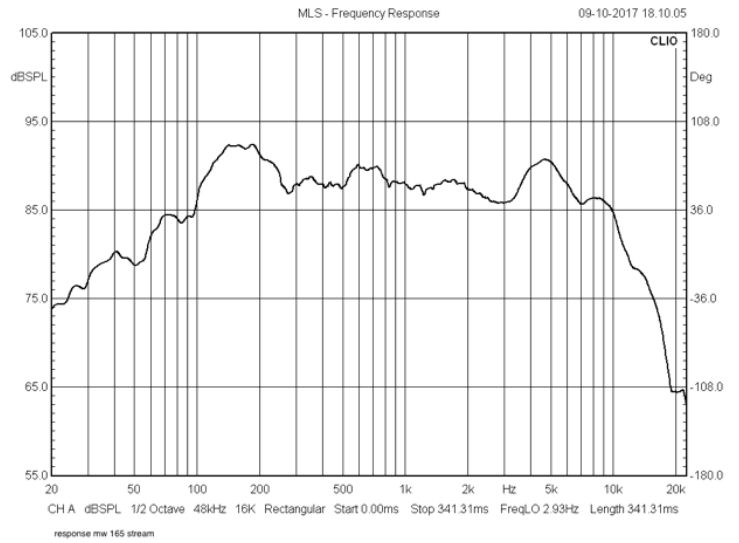
Installation diameter TW: 54 mm

W: 141 mm

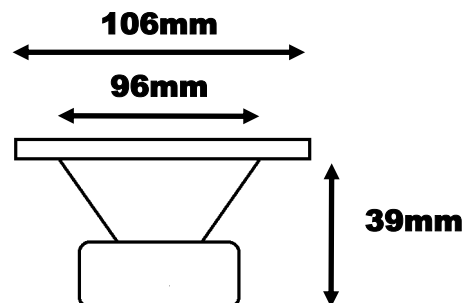
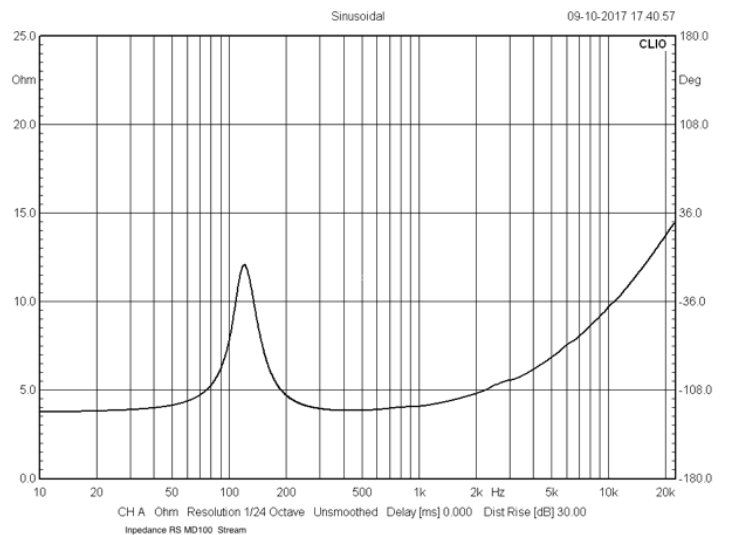
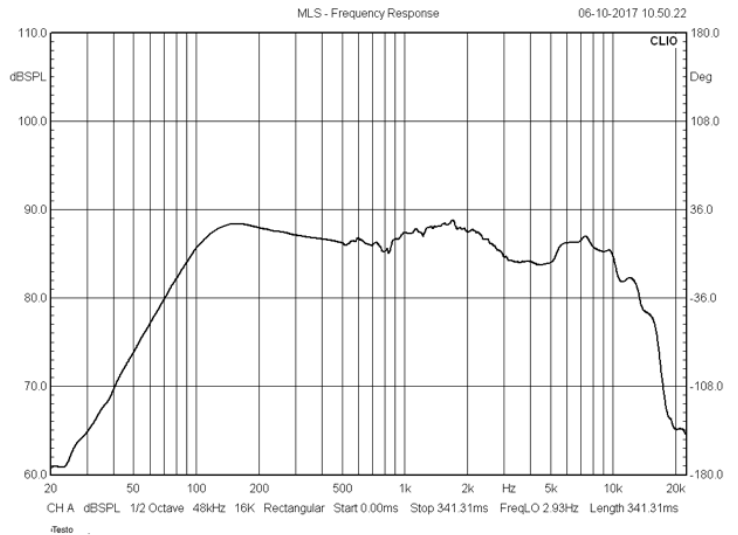
Installation depth TW: 20 mm

W: 77 mm

MODEL	RS STREAM MB165
F_s	35.9823 Hz
Diameter	130.0000 mm
Z_{Max}	35.3278 Ω
R_E	3.4000 Ω
R_{MS}	0.6651 Ω _M
Q_{MS}	5.9892
Q_{ES}	0.6378
Q_{TS}	0.5764
C_{MS}	0.7402 mm/N
M_{MS}	11.7434 g
BL	4.6080 Tm
V_{AS}	18.2093 L
dB_{SPL}	88.5464
L_{1kHz}	0.2963 mH
L_{10kHz}	0.1699 mH
C_{AS}	1.304053E-0007 m ⁵ /N
R_{AS}	3774.9130 Ω _A
M_{AS}	66.6564 kg/m ⁴
R_{AT}	39223.4000 Ω _A
S_D	0.0133 Ω
L_{CES}	15.7171 mH
C_{MES}	553.0508 μF
R_{ES}	31.9278 Ω
R_{MT}	6.9103 Ω _M
Z_{Min}	3.6736 Ω
Z_{AVG}	3.6736 Ω



MODEL	RS STREAM M100
F_s	123.8496 Hz
Diameter	81.0000 mm
Z_{Max}	11.8973 Ω
R_E	3.7000 Ω
R_{MS}	1.0756 Ω _M
Q_{MS}	3.0625
Q_{ES}	1.3823
Q_{TS}	0.9524
C_{MS}	0.3901 mm/N
M_{MS}	4.2329 g
BL	2.9693 Tm
V_{AS}	1.4465 L
dB_{SPL}	85.0068
L_{1kHz}	0.1408 mH
L_{10kHz}	0.1049 mH
C_{AS}	1.035934E-0008 m ⁵ /N
R_{AS}	40505.4000 Ω _A
M_{AS}	159.4111 kg/m ⁴
R_{AT}	130244.8000 Ω _A
S_D	0.0052 Ω
L_{CES}	3.4397 mH
C_{MES}	480.1024 μF
R_{ES}	8.1973 Ω
R_{MT}	3.4584 Ω _M
Z_{Min}	3.8223 Ω
Z_{AVG}	5.8765 Ω



MODEL	RS STREAM T28
F_s	673.2135 Hz
Diameter	0.0000
Z_{Max}	8.0640 Ω
R_E	3.8000 Ω
R_{MS}	0.0000 Ω _M
Q_{MS}	0.6933
Q_{ES}	0.6179
Q_{TS}	0.3267
C_{MS}	0.0000 mm/N
M_{MS}	0.0000 g
BL	0.0000 Tm
V_{AS}	0.0000 L
dB_{SPL}	0.0000
L_{1kHz}	0.0000 mH
L_{10kHz}	0.0158 mH
C_{AS}	0.000000E+0000 m ⁵ /N
R_{AS}	0.0000 Ω _A
M_{AS}	0.0000 kg/m ⁴
R_{AT}	0.0000 Ω _A
S_D	0.0000 Ω
L_{CES}	1.4539 mH
C_{MES}	1.4539 μF
R_{ES}	4.2640 Ω
R_{MT}	0.0000 Ω _M
Z_{Min}	4.1311 Ω
Z_{AVG}	4.5891 Ω

